

# MaxMotion

## IEC PERFORMANCE DATA SHEET IEC Efficiency Level IE3

Catalog #: **IJA112M3-2-46**

HP	kW	Voltage	L.R. Amps	Efficiency	Power Factor	Service Factor	Frame	Design
10,00	7,46	230 / 460	92,82	90,2%	0,88	1,15	112M	N

60 Hz								
FLA							Is/In	F.L. RPM
208	230	333	460	575	796	990		
/	23,70	/	11,90	/	/	/	7,8	3515

50 Hz								
FLA						Efficiency	Is/In	F.L. RPM
190	380	400	415	660	725			
28,69	14,34	13,63	13,13	/	/	90,1%	7,8	2930

Wgt. Lbs	PH	Duty	Insul. Class	Ambient Temp.	Elevation	Temp. Rise° C
105,6	3	S1	H	40°C	1000 M	30

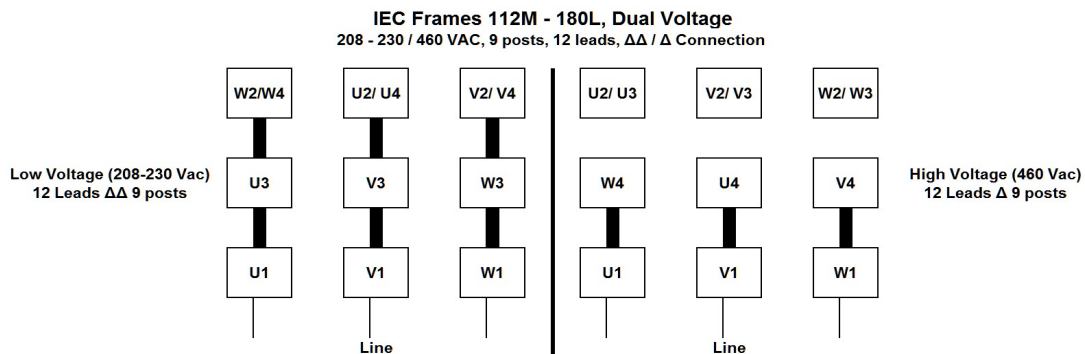
% Efficiency		% Power Factor		Torque			Protector Type	Winding Resist. Ω
Full Load:	90,2%	Full Load:	0,88	FLT ft.lbs	60Hz	50Hz		
3/4 Load:	90,1%	3/4 Load:	0,84	LRT %	220	220	PTC-150°C	-
1/2 Load:	87,9%	1/2 Load:	0,73	BDT %	230	230		

Rotor Inertia Wk2 Lb-Ft2	Max Load Inertia Wk2 Lb-Ft2	Shaft Material	Frame Material	DE Bracket Type	ODE Bracket Type	Mounting	Enclosure	Protection
-	-	Standard	Aluminum	Standard	Standard	B3	TEFC	IP55

Ball Bearings		Grease	Mount Type	Orientation	Cold Start (Secs)	Paint
DE	ODE					
6308ZZ-C3	6308ZZ-C3	Mobil PolyRexEM	Rigid	Horizontal	15	Red

Inverter Duty. Motor meets MG1 parts 31.4.4.2	Constant Torque Range	Variable Torque Range
	10:1	20:1

**WIRING CONNECTION DIAGRAM : C**





Date: **25 janvier, 2024**  
 Customer: \_\_\_\_\_  
 Contact: \_\_\_\_\_  
 Submittee: **J.C. Lavallée**

Catalogue #: **IJA112M3-2-46**

IEC Efficiency Level IE3											
HP	Kw	VAC	RPM	Enclosure	Frame	Frequency	Design	Poles	LR Is/In	Insulation Class	Temp. Rise °C
10,00	7,46	230 / 460	3515	TEFC	112M	60	N	2	7,8	H	30

Load %	0%	25%	50%	75%	100%	125%	150%
Amps	9,61	9,61	10,53	10,98	11,90	13,73	17,39
Torq ft/lbs	0	3,67	7,38	11,14	14,94	19,48	25,01
RPM	0	3579	3558	3536	3515	3371	3149
Eff %	0	65,7	87,9	90,1	90,2	87,9	80,7
PF %	0	40,2	73,0	84,0	88,0	90,6	92,4

	Locked Rotor	Pull-Up	Breakdown	Rated Load	Idle	Duty	S. F.	Ambient	Elevation	dBA @ 1M
Speed (RPM)	0	1620	2700	3515	3600	S1	1,15	40°C	3,300 ft	-
Current (Amps)	92,82	74,26	51,98	11,90	9,61	<b>VFD Rating: Meets MG1 parts 31.4.4.2</b>				
Torque (ft-lbs)	32,87	27,94	34,37	14,94	0,0	CT :	10:1	VT :	20:1	

